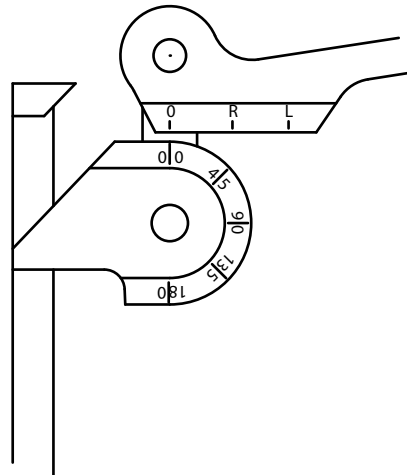
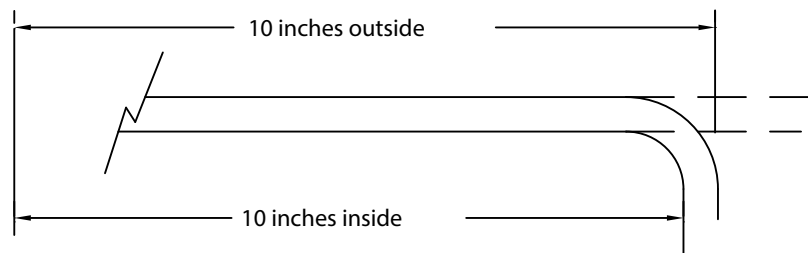

3-in-1 Bender

1/4", 5/16" & 3/8" O.D. Tubing



To Bend 90° Outside Dimensions

With the Zeros aligned, slide your tube so the bend mark lines up with the "L". Pull the handle until the Zero lines up with 90 degrees.



To Bend 90° Inside Dimensions

With the Zeros aligned, slide your tube so the bend mark lines up with the "R". Pull the handle until the Zero lines up with 90 degrees.